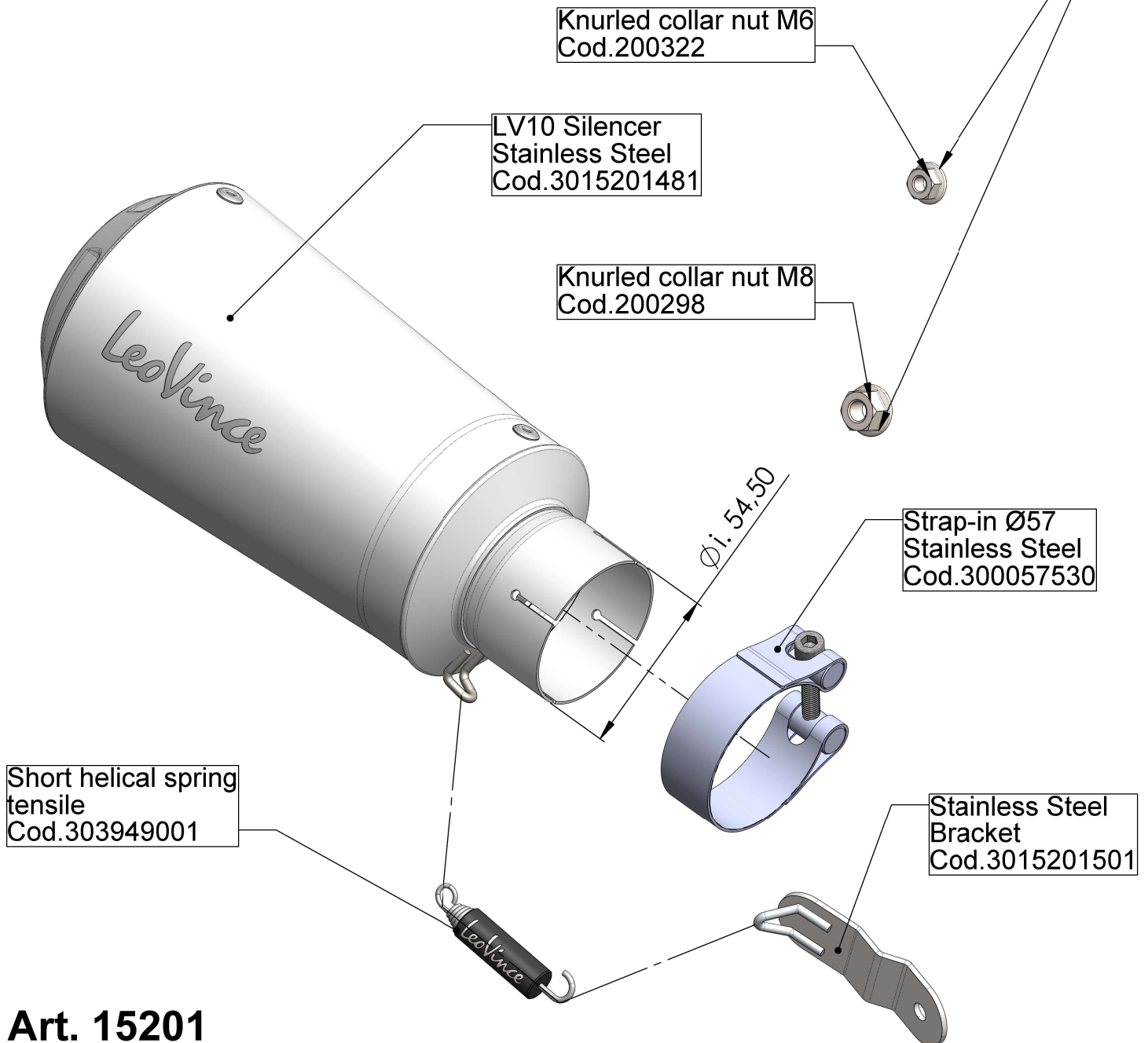


Extra nuts to be used with original bolts that mount the original exhaust hanger bracket. This will allow you to remove the original hanger bracket but re-use the bolts as to not leave empty holes once the bracket is removed.



Art. 15201

YAMAHA R1

Slip-on - LV10 Stainless Steel